

→
REF. HZ-3869A
ELECTRIC BEAUTY BED



TECHNICAL FEATURES



Length:	178 cm
Width	
With armrest:	88 cm
Without armrest:	60 cm
Height:	60-100 cm
Weight:	81 kg
Max. Load:	200 kg
Motors:	4
Upholstery:	PU ○

MOTOR FUNCTIONS



- Height (flat position): 60-100 cm
- Trendelenburg: (15° / max. height = 128 cm / min. height = 55 cm)
- Backrest 80° inclination
- Footrest 90° inclination

MANUAL FUNCTIONS



- Headrest inclination, ±18 cm extendable
- Footrest, ±18 cm extendable
- Seat rotation: ± 90°

INCLUDES



- Hand controller

ACCESORIES



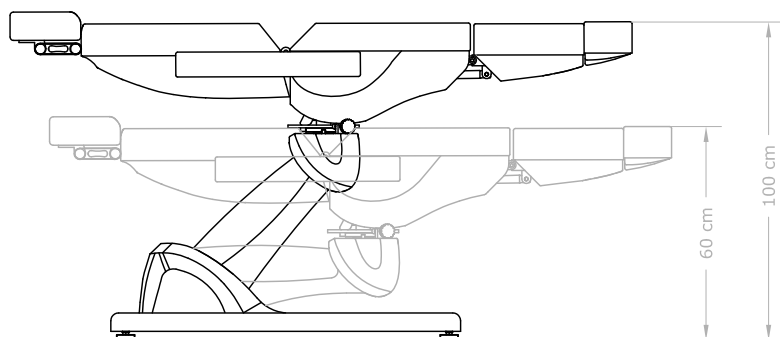
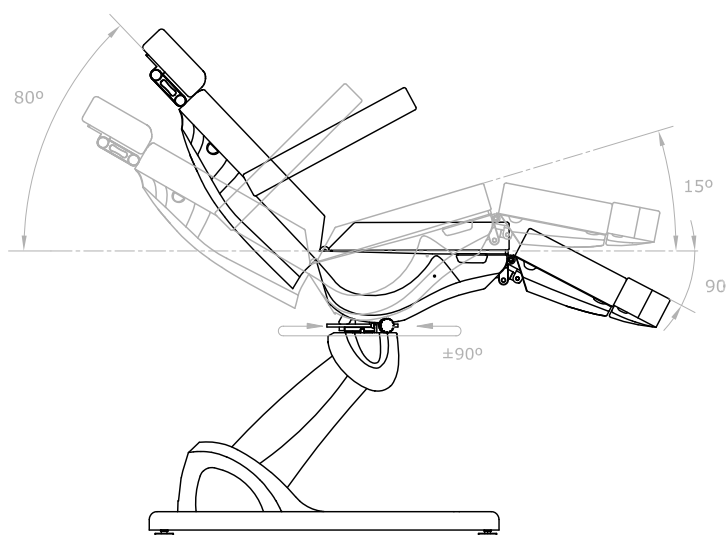
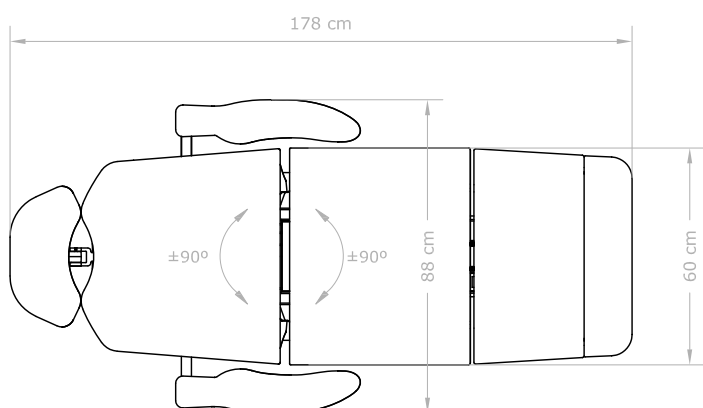
- IOT Hole Headrest
- NEB 4 Foot controller
- Bed Cover

CERTIFICATIONS



- 2014/30/EU Electromagnetic Compatibility
- 2014/35/EU Low Voltage Directive

→
REF. HZ-3869A
ELECTRIC BEAUTY BED



KG 200 kg
max