

HZ-3361A-5H

Keid Warm

Luxury Spa Bed with Heating / Camilla eléctrica para spa con calefacción / Table de spa électrique avec chauffage / Spa-Liege mit Heizung / Lettino Luxury Spa con riscaldamento



EN	2
ES	5
FR	8
IT	11
DE	14

MC would like to thank you for choosing Sonia products. We hope that this instruction manual will help you get the most out of this product.

If you have any doubts regarding its use and/or operation, please contact your distributor.

BEFORE USE

- Please read the entire instruction manual carefully before using the product. Take note of any warnings included in this manual.
- Always keep this instruction manual handy and if you give the device to another person, hand over the manual as it is an essential part of the product.
- Some components of the product may differ from the image that appears in catalogues, websites, brochures, etc.
- In order to enhance the product, the manufacturer reserves the right to modify its features and/or components without prior notice.

CORRECT USE OF THE DEVICE

- This product has been designed to be used by beauty professionals at beauty salons and should not be used for other purposes.
- Please note that any misuse of the device entails the loss of the guarantee.
- Do not make any modification to the device without the authorisation of SONIA EUROPE.
- SONIA Europe shall not be held liable for any material or personal damage due to the misuse of the product.

PRECAUTIONS

- Before using it for the first time and after each use, check the device and the mains cable for any damage.
- Unplug the device from the mains before starting to clean it or undertaking any type of maintenance.
- Do not use the product outdoors or in places where it may be affected by humidity or inclement weather.
- If the power supply cable is defective, unplug the appliance immediately and inform your dealer or specialised technician.
- Position the power supply cable properly so that people cannot trip over it and make sure you plug it into an earthed socket.
- At the end of the working day, disconnect the device and unplug the power supply cable from the mains.
- If you detect any anomaly in the operation of the product, please contact your distributor or specialised technician.

SAFETY INDICATIONS

- The device and accessories should be kept out of the reach of children.
- Only plug the device into a properly installed socket. The local mains voltage must correspond to the technical specifications of the device.
- The power socket must be accessible in case you have to quickly unplug the device at any given time.
- Always pull out the actual plug and not the mains cable.
- Never tamper with any electrical component or open up/repair any component of the device.
- Only your distributor or specialised technician should repair the device.
- Do not switch on the device if there is visible damage to it or to the mains cable.
- Never touch the device or the mains cable with wet hands.
- Never expose your hands or any part of your body to any hole or vacuum on the bed while it is in operation.

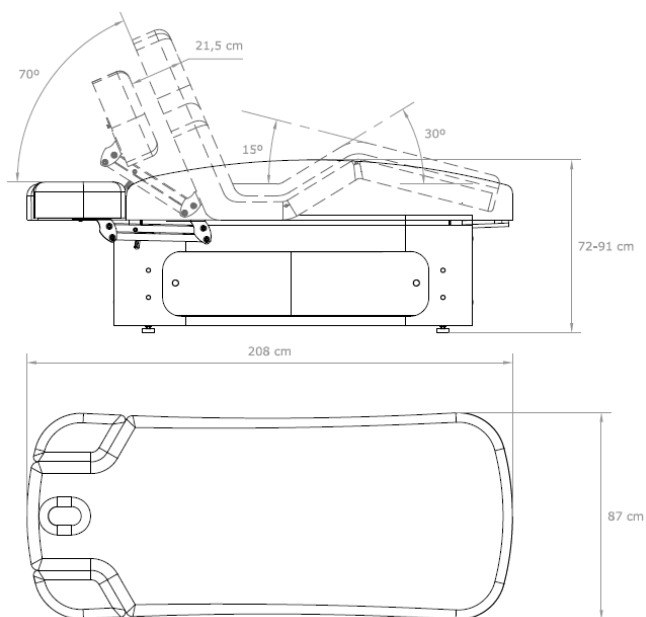
CONTENTS

- Electric Spa Bed x 1 unit
- Instruction manual x 1 unit

TECHNICAL SPECIFICATIONS

Dimensions	208x87x72-91 cm
Net weight	147 kg
Max. Load	200 kg
Motors	4
Upholstery	PU
Foam thickness	18 cm
Voltage	220-240 V
Input frequency	50/60 Hz
Includes	-Hand controller -Heating -3 memorised and customisable positions

SKETCH AND DIMENSIONS

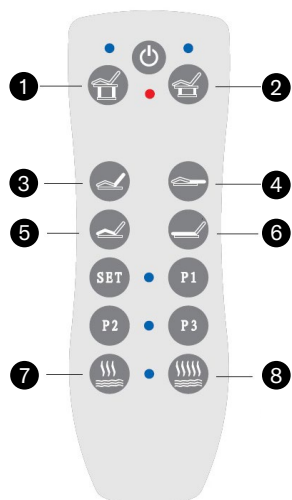


OPERATION

- Connect the bed to an electrical outlet using the power cord.
- To start up, the ON / OFF switch is found on the rear under the backrest. Press it down to the "I" (ON) position.
- This panel also features the fuse and three electrical sockets for the connection of accessories or work tools.



• Hand controller

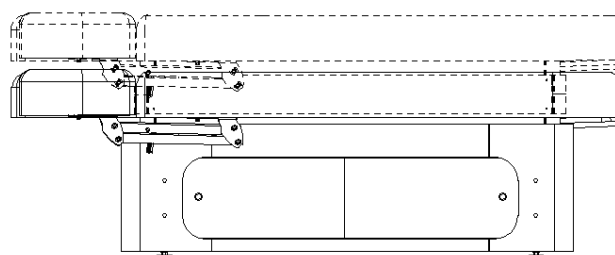


- Press the button to activate the control knob. The red indicator will light up and all its functions can be used.
- Press the button again and the red indicator will

turn off at the same time as the bed remains flat and in the lowest position possible.

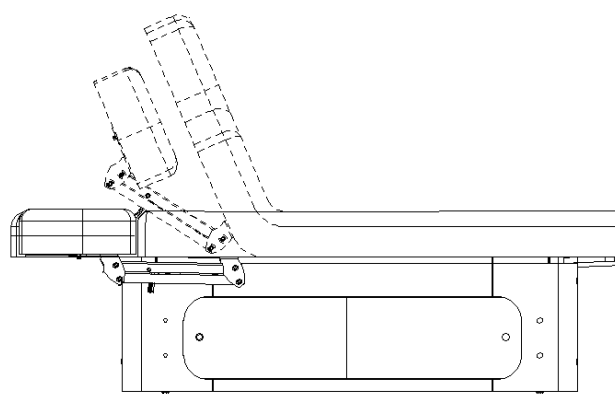
- Press the buttons P1, P2, P3 to place the bed in one of the 3 factory-stored positions.
- Press the button **7** and the heating will start at normal level. The indicator will light up green. Press the button **7** again and the heating will stop. The green indicator will turn off.
- Press the button **8** and the heating will start at high level. The indicator will light up red. Press the button **8** again and the heating will stop. The red indicator will turn off.
- Set any of the 3 factory-stored positions to a new position:
 - Once the bed is in the desired position, press the SET button until the blue indicator lights up.
 - While the blue indicator is lit, press one of the three buttons (P1, P2, P3) for where you want to memorise the new position.
 - The new position will be memorised in the selected button.

• Adjusting height



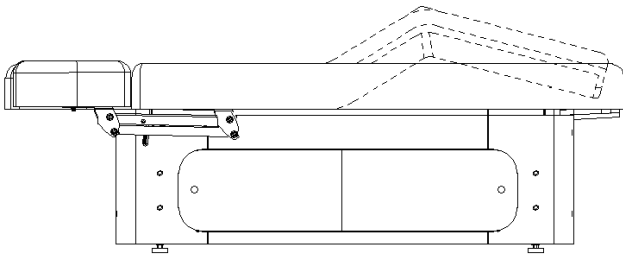
- Use the buttons **1** and **2** on the control knob to adjust the height of the bed.

• Adjusting backrest tilt



- Use the buttons **3** and **4** on the control knob to adjust the tilt of the backrest.

- Adjusting footrest tilt

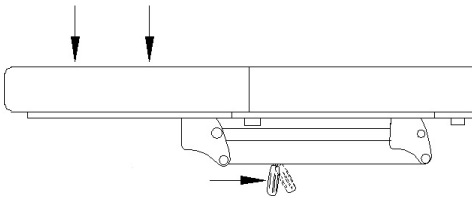


- Use the buttons 5 and 6 on the control knob to adjust the tilt of the footrest.

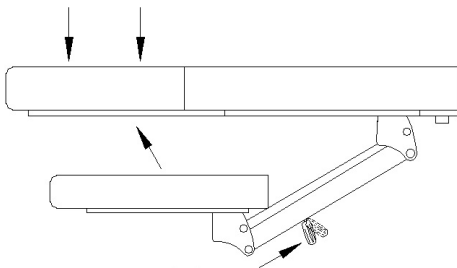
Manual functions

- Adjusting the armrest

- To lower the armrests, move the lever operating the gas piston and press down on the armrest to the desired position. When you release the lever, the armrest will stay in its current position.



- To raise the armrests, move the lever operating the gas piston while pressing lightly on the armrest, preventing it from rising too fast.



CLEANING AND MAINTENANCE

- Before cleaning the device, unplug it from the mains.
- Clean the device with a soft, dry cloth. Do not use liquids to clean it.
- For maintenance or repairs of any part of the product, please contact your distributor or specialised technician.

RECYCLING

If you need to dispose of the product or any of its parts or accessories, please check and respect the laws and regulations applicable to waste management and environmental protection.